

STAR BRUMA

MISTING FAN



RoHS

CE



NEW WITH UV DEVICE FOR WATER STERILIZATION

Read the instructions contained in this booklet carefully before using this misting fan. Star Progetti cannot assume any responsibility for damage to property or personal injury resulting from failure to abide by the instructions given in this booklet. Following these instructions will ensure a long service life and overall electrical and mechanical reliability. Keep this instruction booklet in a safe place.

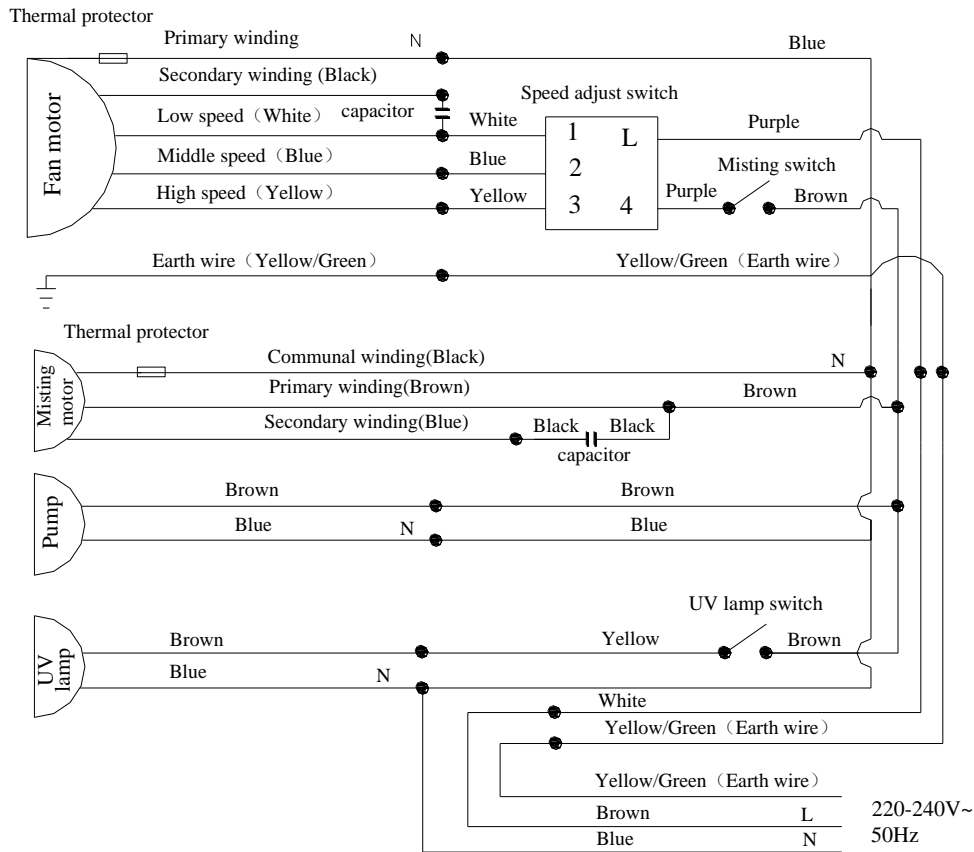
Important information for environmentally friendly disposal

IN SOME EU COUNTRIES THIS PRODUCT DOES NOT FALL INTO THE SCOPE OF APPLICATION OF THE ITALIAN DOMESTIC LAW ACKNOWLEDGING THE RAEE DIRECTIVE AND THEREFORE THERE IS NO OBLIGATION IN FORCE TO SEPARATE MATERIALS AT THE END OF THEIR USEFUL LIFE.

This product complies with Directive 2012/19/UE. The symbol of a dustbin with a cross, which is shown on the appliance, indicates that the product, because it must be treated separately from household waste, must be taken, at the end of its useful life, to a collection center for electrical and electronic equipment or redelivered to the retailer on purchase of a new equivalent appliance. The user is responsible for delivering the appliance to the appropriate collection structure at the end of its life, on penalty of the measures provided for by current legislation on waste. The proper separate collection for subsequent transfer of the appliance for recycling, treatment and environmentally friendly disposal contributes to avoiding any possible harmful effects on the environment and health and promotes recycling of the materials that make up the product. For more detailed information on the available collection systems, contact the local refuse disposal service or the shop where the purchase was made. The producers and importers meet their responsibilities for recycling, treatment and environmentally friendly disposal either directly or through participating in a collective system.



SCHEMA ELETTRICO / SCHÉMA ÉLECTRIQUE / WIRING DIAGRAM



1. CARATTERISTICHE TECNICHE - CARACTÉRISTIQUES TECHNIQUES - TECHNICAL DATAS

MODELLO	VELOCITA' 1				VELOCITA' 2				VELOCITA' 3				Nebulizzazione (max) L/H
	Velocità rpm	Vol.aria m3/min	Rumore dB	Potenza W	Velocità rpm	Vol.aria m3/min	Rumore dB	Potenza W	Velocità rpm	Vol.aria m3/min	Rumore dB	Potenza W	
FRE326N	1100	143	55	210	1250	174	60	220	1400	220	68	240	5

MODELE	VITESSE 1				VITESSE 2				VITESSE 3				Volume de brume (max) L/H
	Vitesse rpm	Volume d'air m3/min	Bruit dB	Puissance W	Vitesse rpm	Volume d'air m3/min	Bruit dB	Puissance W	Vitesse rpm	Volume d'air m3/min	Bruit dB	Puissance W	
FRE326N	1100	143	55	210	1250	174	60	220	1400	220	68	240	5

MODEL	SPEED 1				SPEED 2				SPEED 3				Mist volume (max) L/H
	Speed rpm	Air volume m3/min	Noise dB	Power W	Speed rpm	Air volume m3/min	Noise dB	Power W	Speed rpm	Air volume m3/min	Noise dB	Power W	
FRE326N	1100	143	55	210	1250	174	60	220	1400	220	68	240	5

Attenzione: le caratteristiche tecniche sono soggette a variazioni

Remarque: Aucune indication supplémentaire n'est fournie si les indices ci-dessus sont modifiés.

Specifications are subject to alter without prior notice due to continuous product improvement.



ANTIBACTERIAL UV WATER STERILISATION DEVICE

The **STAR BRUMA** misting fan you have purchased has a distinctive feature to aid personal health.

It is equipped with a **UV** lamp, located in the tank, to sterilise water and prevent the formation of bacteria (such as legionella, for instance) and mould.

When in use, our **STAR BRUMA** misting fan prevents the development of pathogens caused by stagnant or contaminated water.

Star Progetti is the first to adopt this solution, which is part of our corporate strategy aimed at offering customers the best possible product with a full guarantee of well-being and health. The UV lamp lasts for an average of 7000 hours, equivalent to several years of use during the summer.

WARNINGS

- 1) Don't place fingers or foreign objects through guards into blade and don't let children close the fan when the fan is running.
- 2) Bare-body children, weakling and elder should not stay in front of the running fan for a long time.
- 3) Don't place the running fan near being opened window or flower or tree or the curtain, portiere curtain places, also don't place the fan in some unplanned place.
- 4) Close power supply before removing the fan.
- 5) Don't allow the fan become wet or corrosive, forbid to use in bathroom.
- 6) Don't pull the wire forcibly to avoid breaking it.
- 7) To ensure your safety, pls don't replace the wire yourself, if do need replacing, send the fan to maintenance station or our factory.
- 8) Besides our stating maintenances, non-professional is forbidden to disassemble the fan.
- 9) This appliance is not intended for use by persons (including children) with reduced physical, sensory or mental capabilities, or lack of experience and knowledge, unless they have been given supervision or instruction concerning use of the appliance by a person responsible for their safety.
- 10) Children should be supervised to ensure that they do not play with the appliance.
- 11) Damaged supply cords to be replaced by the manufacturer, service agent or similarly qualified person to avoid hazard.
- 12) Unplug the appliance during filling and cleaning.
- 13) Before any manual water filling operation, cleaning and maintenance, turn off the device and remove the plug from the electric socket.also, avoid exposure to light coming from the uvc bulb for a few seconds (even if the light is only reflected) as exposure can cause severe conjunctivitis and erythmea.**

2. MAINTENANCE

- 1) Clean the fan periodically to keep it tidy and durable.
- 2) Cut off the power and make sure the blade stay still before cleaning, open the grill clips and loose the screws, remove the front grill and blade, use a soft cloth and a mild soap to clean the fan's exterior. Do not use gasoline or any other corrosive liquid which can damage the misting fan.
- 3) Thoroughly dry all of the fan's parts with a soft cloth after cleaning and install the fan by contrary steps. (Remark: Do not knock down the misting system).
- 4) Keep the motor and electrical components away from water when cleaning. Do not knock against the blade or change its angle.
- 5) Clean the water tank and water collection plate to keep water clean.
- 6) If the misting fan will not be in use for an extended period of time, cover the unit and keep it stored in a clean, dry place.

3. CAUTION

- 1) Follow the diagram to take out the fan body when open the packing carton of fan.
- 2) Do not insert objects or let fingers to enter to the fan guard.
- 3) Adjust the pitch angle of the fan within a predetermined range.
- 4) Do not place the fan to unsteady floor or near curtains, drapes, or any other materials easily to be involved in the misting fan's grills.
- 5) Children, elders and weak people cannot stand in front of the machine for a long time.
- 6) If the power cord is damaged, in order to avoid a hazard, it must be replaced by the manufacturers and their maintenance departments or similar sector professionals.
- 7) Immediately cut off the power supply in the presence of abnormal noise, smoke, blade does not turn, and send it back to the factory or professionals with relevant qualifications to check and maintain.
- 8) In addition to this specification of maintenance allows, non-professionals can not disassemble, repair and reconstruct the misting fan.
- 9) Take away moisture-proof things when starting mist function to avoid moisture.

SAFETY WARNINGS



BEFORE ANY MANUAL WATER FILLING OPERATION, CLEANING AND MAINTENANCE, TURN OFF THE DEVICE AND REMOVE THE PLUG FROM THE ELECTRIC SOCKET.



ALSO, AVOID EXPOSURE TO LIGHT COMING FROM THE UVC BULB FOR A FEW SECONDS (EVEN IF THE LIGHT IS ONLY REFLECTED) AS EXPOSURE CAN CAUSE SEVERE CONJUNCTIVITIS AND ERYTHEMA.

4. FEATURES AND APPLICATIONS

- 1) Use CAD optimized design with artistic looking.
- 2) The fan misting system adopts the centrifugal atomization optimized design, without nozzle and water filtration, reasonable structure, easy maintenance.
- 3) Fan surface is epoxy resin coated, anti-rust and durable. The fan has water proof electrical design, safety, with tank cart, easy to move.
- 4) Misting and air supply driven by different motors, motors use high quality rolling bearings, with stable performance, low temperature rise, long life, low noise, strong overload.
- 5) Misting volume adjustable, pumps take full insulation enclosed protective structure for safe operation.
- 6) The fan with the function of oscillation and adjustable angle. easy to use, suitable for factories, residential areas, shopping malls, sports grounds cooling, dedusting, odor removal, and also can be used in livestock farms, greenhouses, mushroom farms and special places.

5. PRODUCT BENEFITS

- 1) Centrifugal misting system means there is no clogged nozzles and no need to use filtered water.
- 2) It is equipped with a UV lamp, located in the tank, to sterilise water and prevent the formation of bacteria (such as legionella, for instance) and mould.
- 3) Fan surface is epoxy resin coated, anti-rust and durable.
- 4) The fan electrical components are designed to be waterproof.
- 5) Safe to use, with tank cart, easy to move.
- 6) Air supplying and misting functions are driven by different motors. Motors adopt high quality ball bearings, with advantages of stable, low temperature-rise, long service life, low noise, and strong overloading ability.
- 7) Misting volume adjustable, the pump adopts full insulation enclosed protective structure for safe operation.
- 8) It has three adjustable speed and the function of left and right oscillation, easy to use.
- 9) Designed for cooling large areas such as patios, factories, manufacturing facilities, garages, athletic fields, greenhouses, live stock breeding farms and more.

6. OPERATION INSTRUCTIONS

- 1) Use the fan under the voltage and frequency shown on the rating label, do not use in corrosive environment.
- 2) Do not install this machine in places where the altitude is higher than 1,000 meters or temperature is over 40°C .
- 3) When socket is used in power supply, the socket should meet the IEC335-1 standard; when power liner is from direct power supply, a polarity switch should be installed with contact gap not less than 3mm on the fixation wiring.
- 4) Oscillating angle adjustment: Loosen the oscillation screw and move it to the desired position (the more outward the more bigger oscillation angle), tighten this oscillation screw after adjustment.
- 5) Tilting angle adjustment: Loosen the fixing nut and move the motor to the desired position and tighten this fixing nut.

- 6) Speed adjustment: low speed, medium speed and high speed can be achieved by turning the switch knob on the motor.
- 7) If the machine is selected to operate by misting mode, its misting magnitude can be adjusted optionally between "OFF" and "ON".
- 8) The tank must be full filled with water before using the misting mode. The fan can operate continually for 4 hours with the maximum misting volume. Re-fill the tank to achieve the misting effect when it is short of water. Release the water after cleaning the tank by unscrewing the knob on the bottom.
- 9) When using the handcart, please skid the front cartwheel to avoid glide naturally. When moving the handcart, please loosen the front cartwheel lock. Before loosening the front cartwheel lock, and please do not move it to avoid damage.
- 10) Please clean the water tank before using. Please take out the water pump before cleaning the water tank .

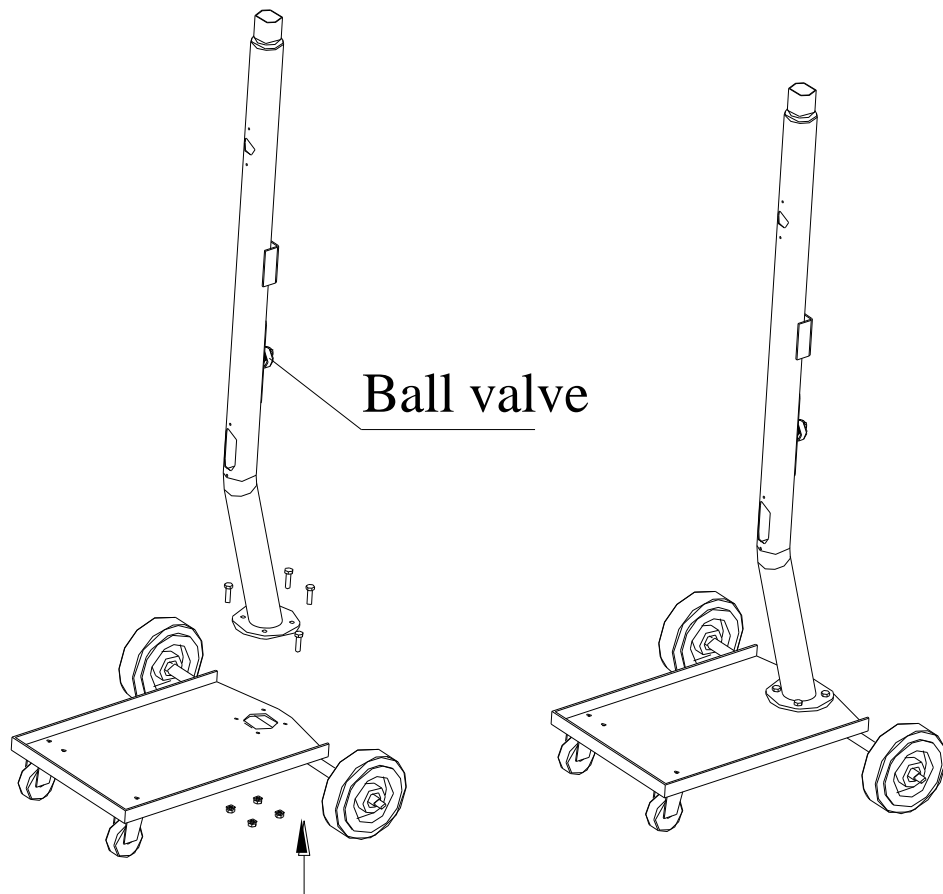
7. ASSEMBLY INSTRUCTIONS

DO NOT plug in the fan before assembly. This misting fan comes in 3 boxes. Carefully remove all packing materials and retain for future storage/use. Make sure there is no residual foam left in any of the components. Check all the components to avoid any parts missing, scratching, or damaging during transportation. A screwdriver and a wrench will be required to assemble this misting fan.

Step 1: Assembling the Stand Pole

- a. Refer to diagram 1. Locate the tank cart and stand pole. Remove the four M8X25 bolts, spring washer, flat washer, and nuts from the tank cart.
- b. Position the stand pole on the tank cart and make the ball valve switch face the back. Align the holes on the pole with the four holes on the cart.
- c. Using the bolts, washers, and nuts removed in step a, screw the stand pole into the tank cart. Make sure the stand pole is securely screwed onto the cart before proceeding to the next step.

DIAGRAM 1

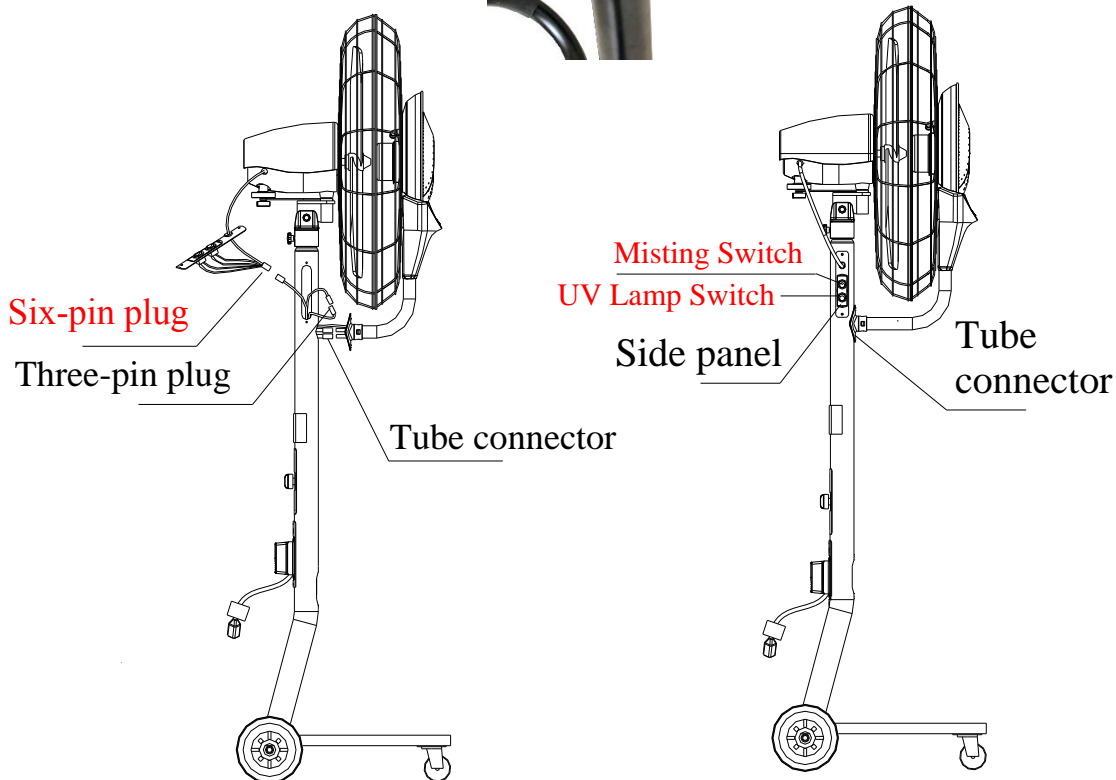


Step 2: Fan Head and Tubes Assembly

- Refer to diagram 2. Align the stand pole and the bottom of the fan head and connect the two pieces. Fasten the screw to secure the two pieces together.
- Insert the three-pin plug into U-groove hole in front of the stand pole. Plug the three-pin plug into the three-pin socket.
- Connect the two tubes. Make sure each tube connected with it's same color tube.
- Plug the six-pin plug into the six-pin socket. Mount the side panel and connector.



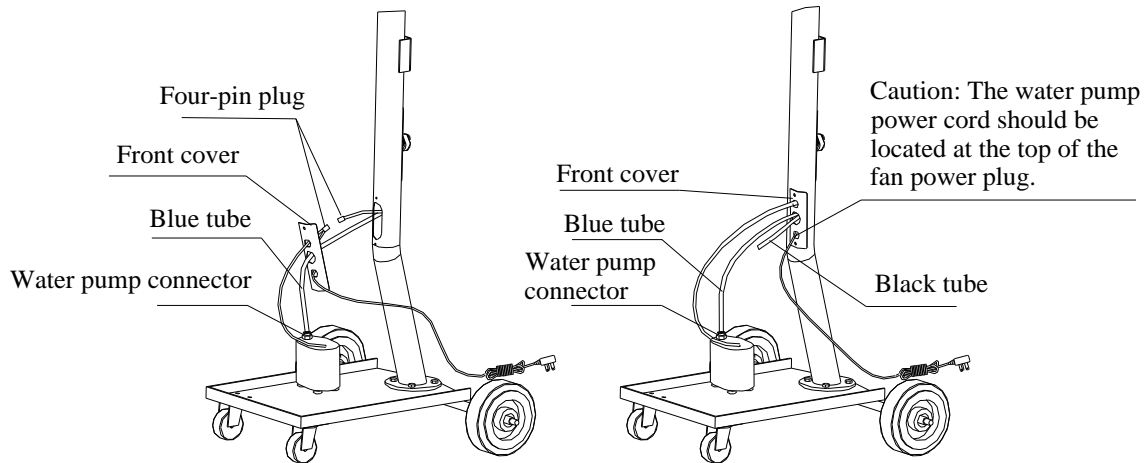
DIAGRAM 2



Step 3: Circuit and waterways connecting

- Refer to diagram 3. Plug the four-pin plug of power cord into four-pin socket on the lower part of the stand pole. And locate them into the stand pole after connection.
- Insert the blue tube and black tube into the round hole of the front cover. Insert the blue tube into the connector of the water pump. Ensure the tubes in the stand pole not bend.
- Mount the front board onto the stand pole and fix with screws.

DIAGRAM 3



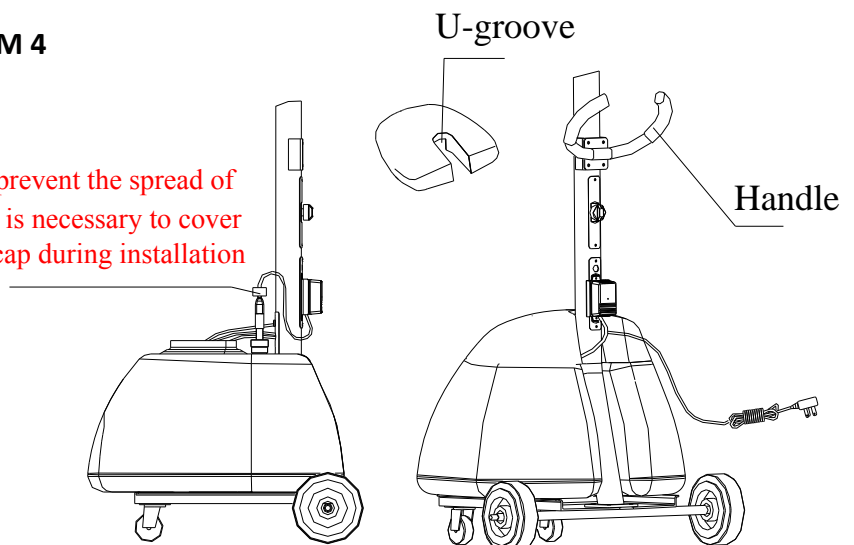
Step 4: Water Tank Assembly

- Refer to diagram 4. Position the tank on the tank cart; use the two hems to fix the tank.
- Connect the UV lamp to the socket at the end of the ballast lead, then insert the UV lamp into the hole of the UV lamp device and cover the plastic cap.
- Put the water pump into U-groove inside water tank.
- Lid tank cover, ensure pump tube, water recycling tube and pump power cord get through U-groove of tank cover.
- Pull the power cord of the fan out of the tank bottom.
- Mount the handle on the stand pole.

DIAGRAM 4



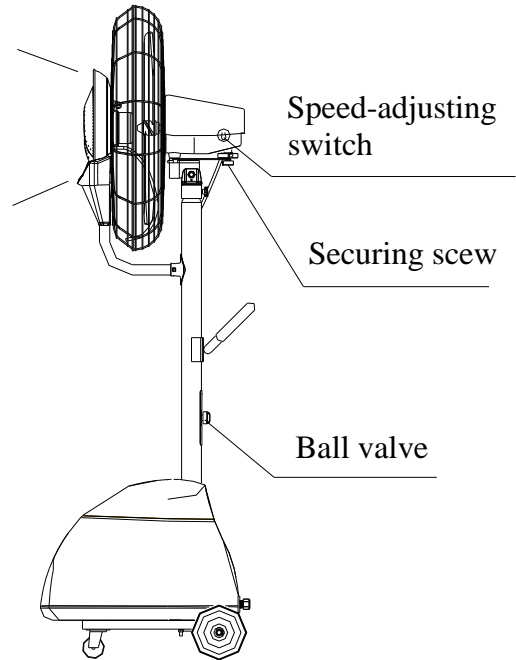
In order to prevent the spread of UV light, it is necessary to cover the plastic cap during installation



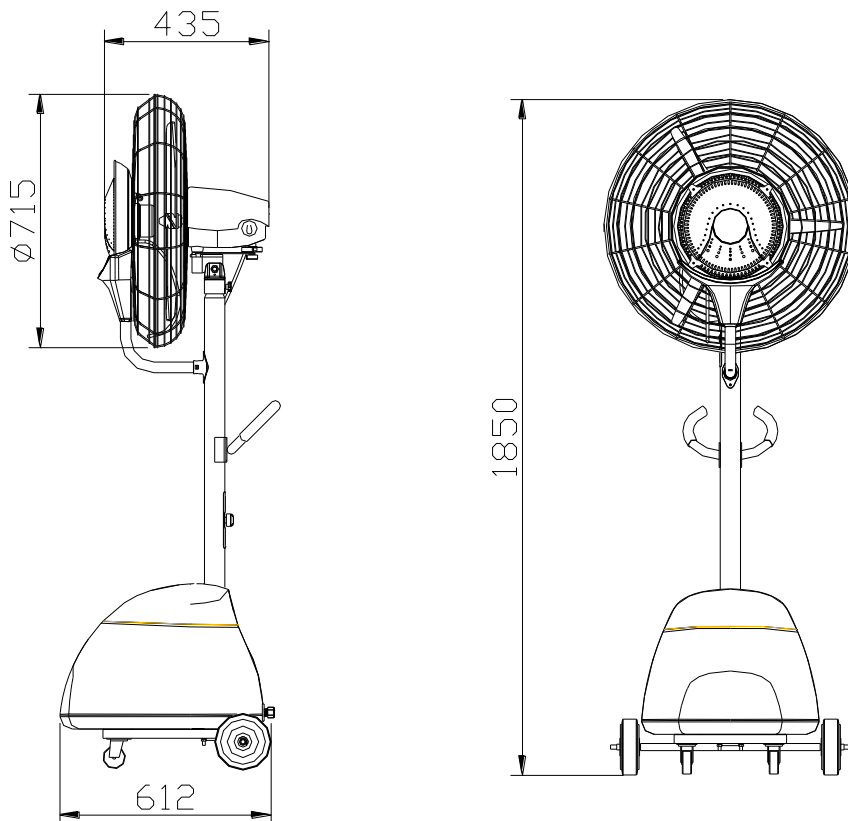
Step 5: Misting Testing

- a. Full fill the water tank with clean water, and cover the tank lid.
- b. Keep the ball valve from "on " to "off ", and turn power on. Turn the switch knob, and check if the motor and blade operate normally.
- c. Press misting button, run misting motor and water pump, and check if the misting motor, misting plate and water pump operate smoothly.
- d. Turn ball valve from " on" to "off", and observe the misting adjustment function.
- e. Press the button of the UV lamp switch to turn on the UV sterilization device, the ballast indicator is green color.
- f. Adjust the plastic screw, and check if the oscillation function work smoothly.

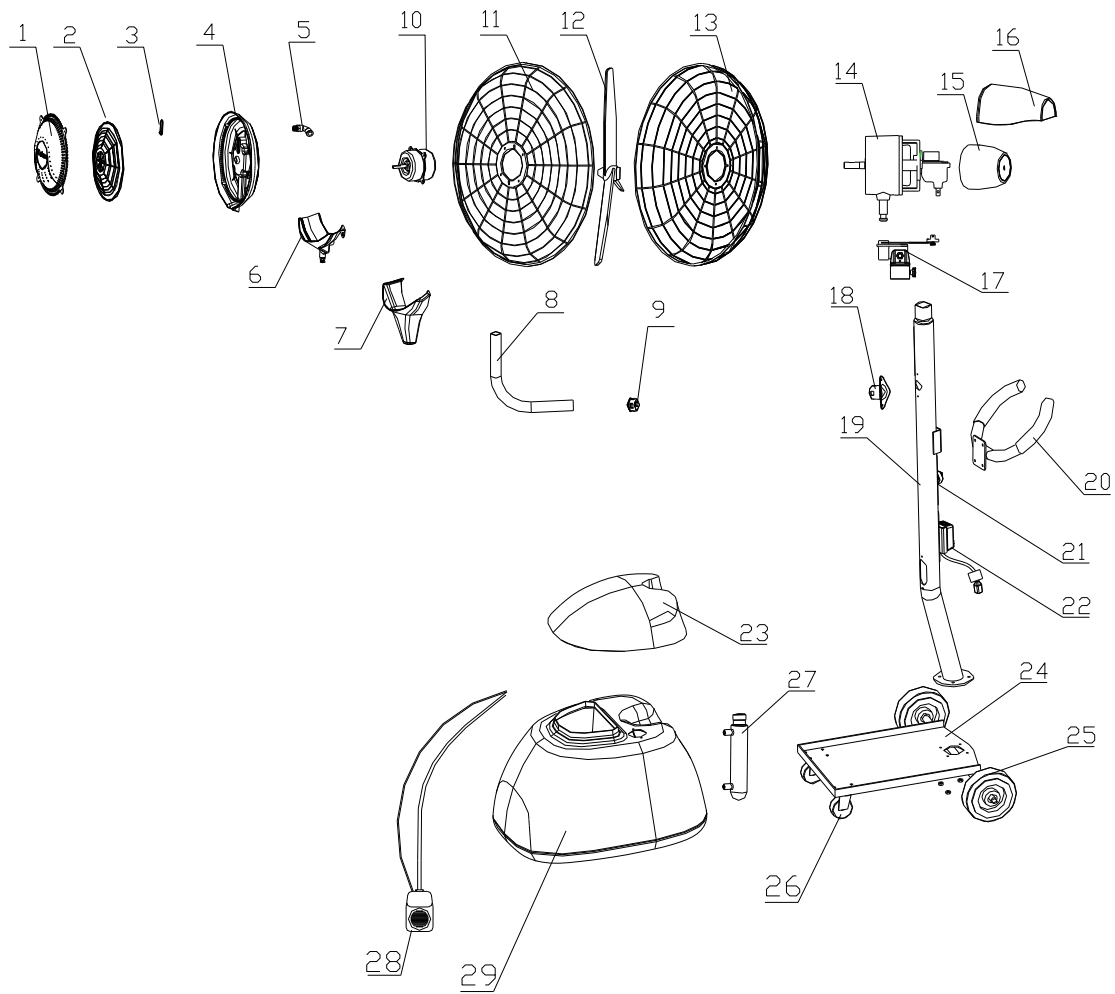
DIAGRAM 5



Product Dimension.

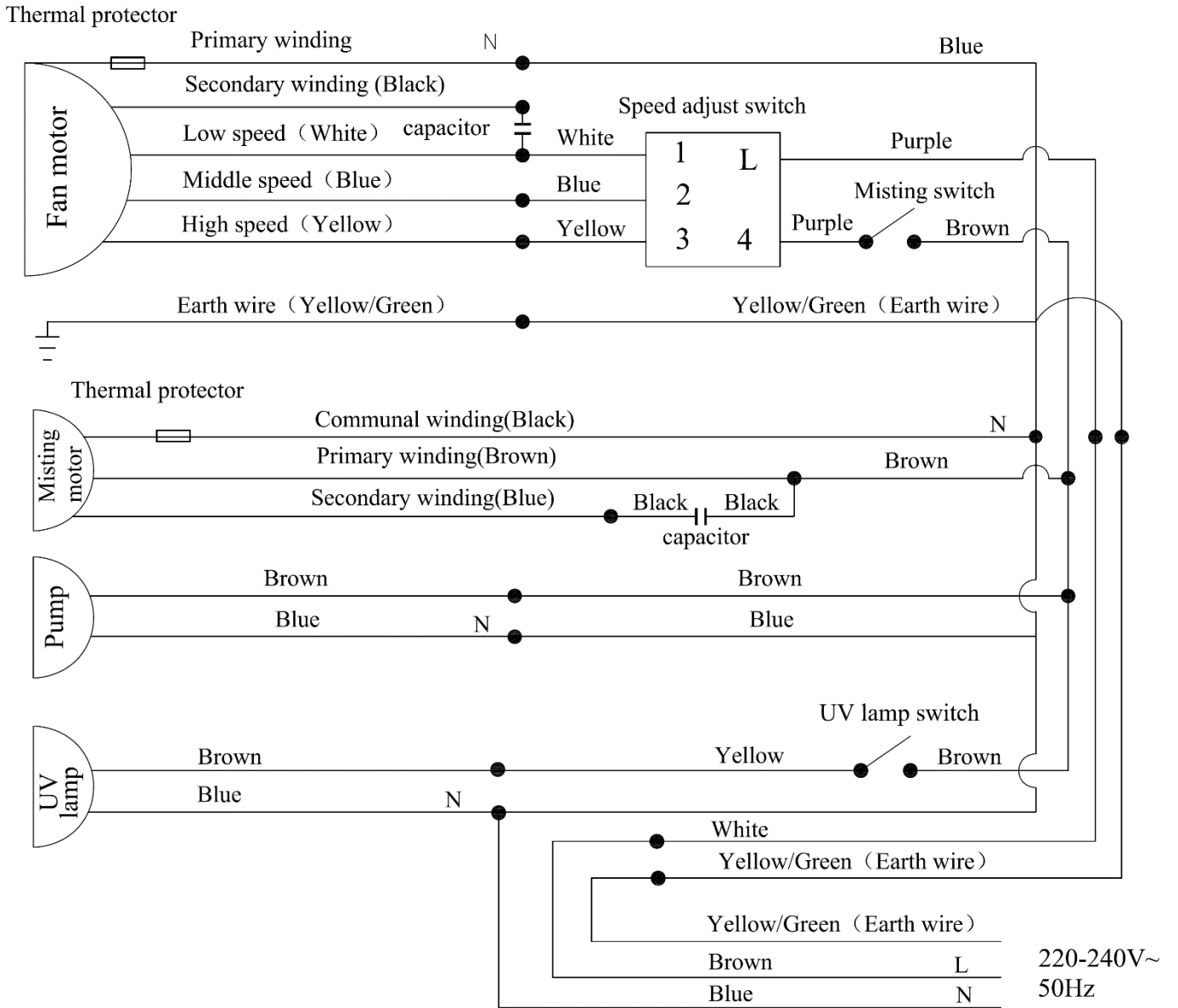


Structure Diagram



- | | |
|--------------------------------|-----------------------------------|
| 1. safety cover | 17. oscillating structure |
| 2. safety grill | 18. tube connector for stand pole |
| 3. misting plate | 19. stand pole |
| 4. water outlet | 20. handle |
| 5. whorl bent connector | 21. ball valve |
| 6. water receiving plate | 22. ballast |
| 7. water receiving plate cover | 23. water tank cover |
| 8. flexible tube | 24. tank cart |
| 9. plug | 25. Wheel |
| 10. misting motor | 26. Caster |
| 11. front grill | 27. UV lamp |
| 12. blade | 28. water pump |
| 13. rear grill | 29. water tank |
| 14. fan motor | |
| 15. motor cover | |
| 16. motor protective cover | |

WIRING DIAGRAM





CERTIFICATE OF GUARANTEE

We congratulate you on the purchase of our FRE326N **Validity 12 months** from date of purchase of the appliance: the guarantee expires after this period. The invoice, receipt or hire purchase agreement shall prove the duration of the guarantee period. Replacements and repairs caused by faulty materials or manufacture are guaranteed. Replacements and repairs to those parts of the appliance subject to normal wear are excluded from this guarantee. The guarantee shall immediately cease and become void should the appliance be dismantled or repaired by unauthorized people, or in case of negligence, or accidental damage during transport or elsewhere, or in case of misuse, failure to comply with the instructions for use, maintenance carried out by unauthorized people, faulty installation not in conformity with the laws in force. Replacement of the appliance is excluded from this guarantee. The eventual repairs recognized in guarantee will be carried out free of charge for those appliances returned free STAR PROGETTI's factory or to one of the authorized distributor. All transport costs are to be paid by the customer.

N. SERIE / N. SERIE / APPLIANCE No.

DATA ACQUISTO / DATE D'ACHAT / DATA OF PURCHASE

FATTURA N. / FACTURE N. / INVOICE No.

RIVENDITORE / REVENDEUR / DEALER
